

TCLP Products



ZHE+™ with 560mL capacity is constructed of 316 Stainless Steel.

The Environmental Express zero head space extractor (ZHE+) has a large capacity to utilize the maximum test sample of 25 grams as allowed by federal regulations.

- The piston is moved up the honed sample barrel by gas pressure, pushing the extracted sample through a 0.7µm borosilicate glass fiber filter, held between two photo-etched screens and out the top of the apparatus into a gas tight syringe or Tedlar® bag.
- A pressure gauge continually monitors filtration pressure.
- Pressurizing gas is introduced through a quick-connect fitting located on the bottom of the ZHE+, allowing the user one-hand operation when connecting or disconnecting the gas source.
- A pressure relief valve is located on the bottom of the ZHE+. All fittings are contained within the “footprint” of the apparatus, protecting them from damage.
- The finished extract exits through a 316 stainless steel plug valve located on the top plate. A plug valve is especially well suited for this application as it can be “throttled” to allow the pressurized extract to escape from the ZHE+ slowly.
- Top and bottom plates are connected by hex connecting rods and feet. The ZHE+ comes fully assembled.

The ZHE+ is supplied with a set of spare O-rings and a polyethylene tool to remove the piston from the sample cylinder.

ZHE+

Catalog # ZHE1000



The Teflon-coated MaxFil™ Pressure Filtration Device is durable and lightweight.

The MaxFil is specifically designed to meet the demands of the Toxicity Characteristic Leaching Procedure. Design features built into this hazardous waste filtration system make complying with Method 1311 easy and efficient.

- No splitting of the sample extract is necessary. The 2200mL capacity allows the analyst to load the entire sample before filtration begins. This saves time and reduces the supplies necessary to prepare a sample.
- Pressurization is achieved by use of a quick connect fitting instead of a cumbersome hose-barb fitting. This quick-connect requires no clamping and, unlike a barbed fitting, it cannot “blow off” during filtration.
- All pressures are monitored by a pressure gauge located on the top plate of the MaxFil. When used with a regulator, filtration can be performed accurately and precisely without constant attention by the analyst.
- Sample materials may be introduced into the MaxFil by removing the top plate or through the 1" diameter entry port. This unique entry port has a two-inch knurled handle that enables any analyst to open and close the port without the use of tools.
- All wetted surfaces of the Maxfil are Teflon®-coated to offer extra assurance that no leaching of metals will occur.

Teflon-coated MaxFil

Catalog # PF000-2

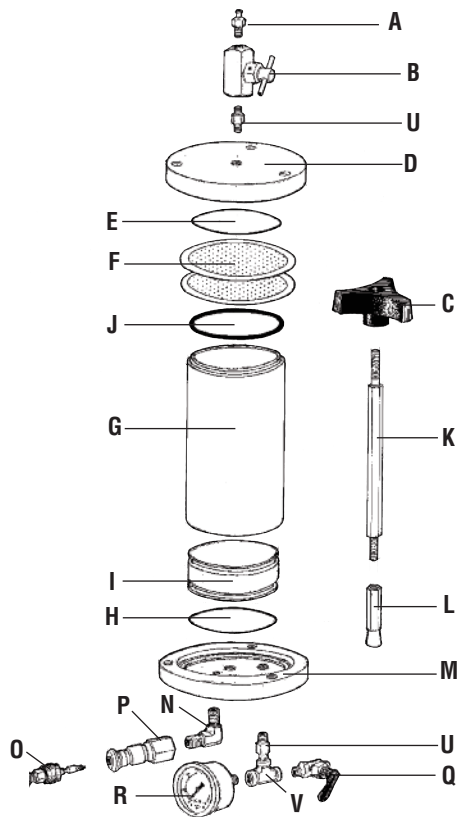
ENVIRONMENTAL EXPRESS

Call 800.745.8218 or 843.576.1147 ■ www.environmentalexpress.com



Replacement Parts - ZHE+ and Maxfil™

ZHE+

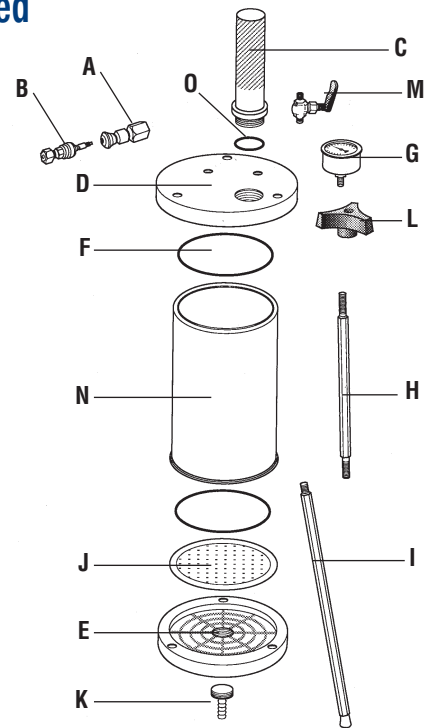


ZHE+ Parts:

Catalog

A. 1/8" Stainless steel luer	ZSSFL12-1
B. 1/4" Stainless plug valve	ZSSPV00-1
C. Thermoplastic locking handle, 3 pk	ZPLNA00-3
D. 316 Stainless top plate	ZSSTP00-1
E. Viton*-A plate O-ring, 2 pk	ZVRC000-2
F. 90mm photoetched SS screen	ZSS9000-1
G. Stainless cylinder	ZSS5600-1
H. Viton-A O-ring, 2 pk	ZVRP000-2
I. 316 Stainless piston	ZSSP000-1
J. Viton-A cylinder O-ring	ZVRB000-1
K. Connecting rod	ZOSTR25-1
L. Support legs	ZOSLG25-1
M. 316 Stainless bottom plate	ZSSBP00-1
N. 1/4" elbow connection	ZCDEL25-1
O. 1/4" male disconnect	ZCDMD25-1
P. 1/4" female disconnect	ZCDFD25-1
Q. 1/8" pressure relief valve	ZCDRV12-1
R. Pressure gauge, 0-60 psi	ZSPPG12-1
S. Rubber feet, 3 pk	ZRUFT25-3
T. Polyethylene knockout plug (not shown)	ZPYPG00-1
U. 1/8" Stainless bushing	ZSSBU12-1
V. 1/8" Stainless female Fitting	ZCDT012-1

Teflon-coated MaxFil™



MaxFil Parts

Catalog

A. 1/4" female disconnect	PSSFD25-1
B. 1/4" male disconnect	ZCDMD25-1
C. 1" entry port handle	PC000-1
D. Top plate	PSSTP00-1
E. Bottom plate	PSSBP00-1
F. Viton*-A cylinder O-ring	PVR000-2A
G. Pressure gauge, 0-100 psi	PSPPG12-2
H. Connecting rod	POSTR25-1
I. Leg	POSLG25-1
J. 142mm filter support screen	PSS142MM
K. Exhaust port	PEP000-1
L. Thermoplastic locking handle, 3 pk	ZPLNA00-3
M. 1/8" pressure relief valve	ZCDRV12-1
N. Sample barrel	PSS2200
O. Viton-A inlet O-ring	PVR100-1

ENVIRONMENTAL EXPRESS

Call 800.745.8218 or 843.576.1147 ■ www.environmentalexpress.com

